

Top rollers for roving frames and ring frames

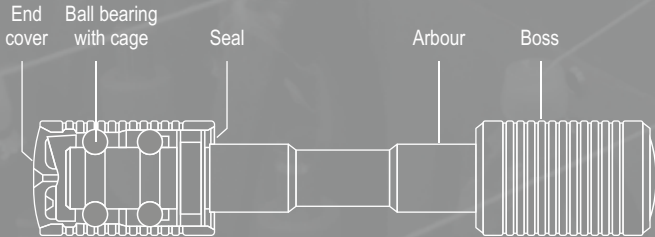


Precision components for spinning machines

Quality • Reliability • Innovation

Top rollers

Top rollers are a pair of anti-friction, double row ball bearings having a common axle. Each top roller is manufactured such that the clearance between the hardened arbour and shell is perfectly matched with appropriately sized double row steel balls. The top rollers made for ring frames and speed frames are injected with just the right amount of a special grease – TRG 5. The ends are fitted with a uniquely designed seal to prevent leaks while in operation.



Double row ball bearings with specially designed end seals to prevent grease leakage during use

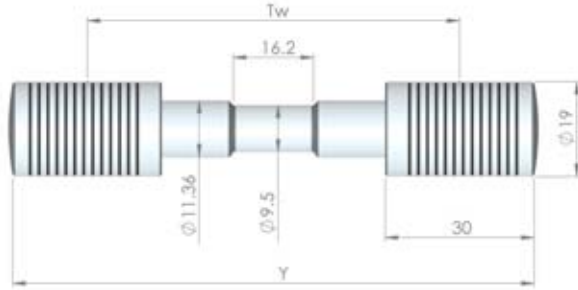
Features of top rollers

- Sturdy double row ball bearings ensure smooth and even rotation
- Through hardening of axle and outer shells
- Effective U-type seal
- Lubricated with precise amount of special grease TRG 5

Benefits

- Higher load bearing capacity
- No ingress of foreign particles
- Long re-lubrication intervals reduce maintenance
- Smooth trouble-free operation under mill conditions
- Consistent quality output

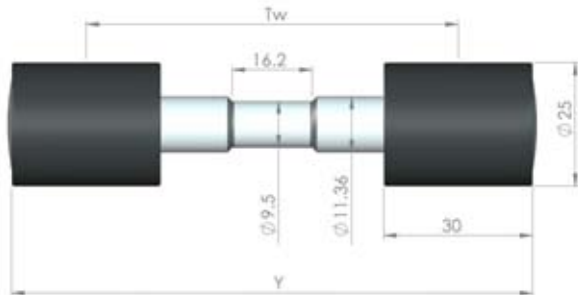
Top roller for short staple ring frames



Type – Ref. No.	Gauge Tw (mm)	Total length Y (mm)	Colour of end cover
LP 302-000684	68.4	98.4	Blue
LP 302-000075	75	105	Blue
LP 302-000825	82.5	112.5	Blue

Application/s

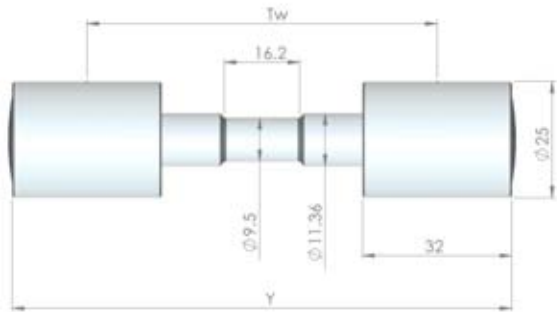
Position/s : Front and rear top roller
 Machine/s : Short staple ring frames
 Process : Spinning
 Weighting arm/s : TeraSpin and SKF PK 2025, PK 2035 and SKF PK 225 and PK 235
 Raw material/s : Cotton, man-made fibres and their blends



Type – Ref. No.	Gauge Tw (mm)	Total length Y (mm)	Colour of end cover
LP S 3681	68.4	98.4	Blue
LP S 3751	75	105	Blue
LP S 3821	82.5	112.5	Blue

Application/s

Position/s : Apron top roller (with special sleeve)
 Machine/s : Short staple ring frames
 Process : Spinning
 Weighting arm/s : TeraSpin and SKF PK 2025, PK 2035 and SKF PK 225 and PK 235
 Raw material/s : Cotton, man-made fibres and their blends



Type – Ref. No.	Gauge Tw (mm)	Total length Y (mm)	Colour of end cover
LP 303-000684	68.4	100.4	Blue
LP 303-000075	75	107	Blue
LP 303-000825	82.5	114.5	Blue

Application/s

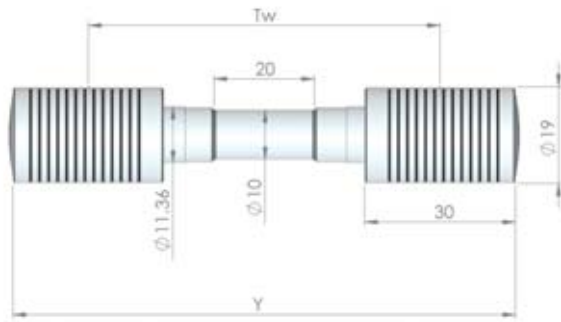
Position/s : Apron top roller (with steel sleeve)

Machine/s : Short staple ring frames

Process : Spinning

Weighting arm/s: TeraSpin and SKF PK 2025, PK 2035 and SKF PK 225 and PK 235

Raw material/s : Cotton, man-made fibres and their blends



Type – Ref. No.	Gauge Tw (mm)	Total length Y (mm)	Colour of end cover
LP 302-000070 RLM	70	100	Orange

Application/s

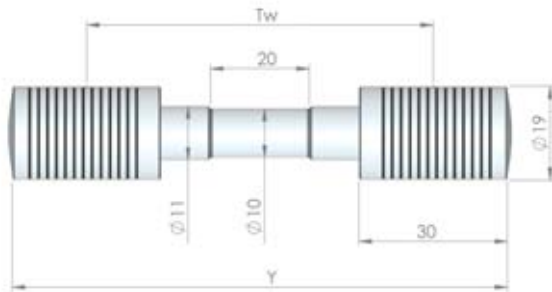
Position/s : Front and rear top roller as well as apron top roller (with cot)

Machine/s : Short staple ring frames

Process : Spinning

Weighting arm/s: Rieter pneumatic top arms

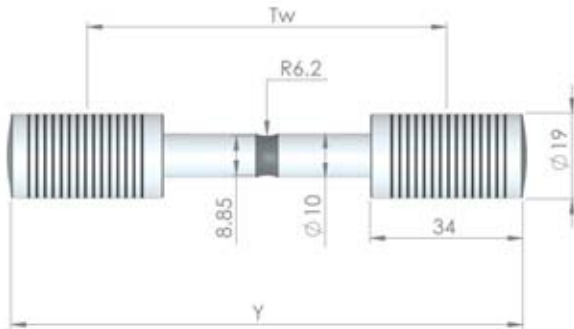
Raw material/s : Cotton, man-made fibres and their blends



Type – Ref. No.	Gauge Tw (mm)	Total length Y (mm)	Colour of end cover
LP 302-000070	70	100	Orange
LP 302-000075L	75	105	Orange

Application/s

- Position/s : Front and rear top roller as well as apron top roller (with cot)
- Machine/s : Short staple ring frames
- Process : Spinning
- Weighting arm/s: Rieter and LMW pneumatic top arms
- Raw material/s : Cotton, man-made fibres and their blends

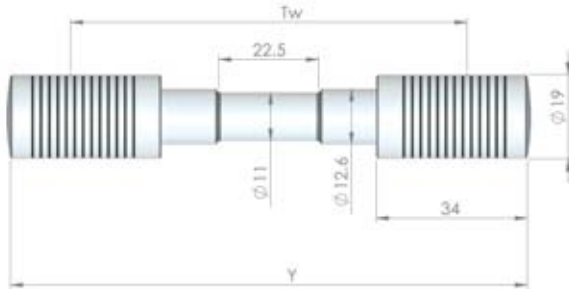


Type – Ref. No.	Gauge Tw (mm)	Total length Y (mm)	Colour of end cover
LP 302-000070 G	70	104	Orange
LP 302-000080 G	80	114	Orange
LP 302-000090 G	90	124	Orange

Application/s

- Position/s : Front and rear top roller as well as apron top roller (with cot)
- Machine/s : Short staple ring frames
- Process : Spinning
- Weighting arm/s: Rieter and LMW pneumatic top arms
- Raw material/s : Cotton, man-made fibres and their blends

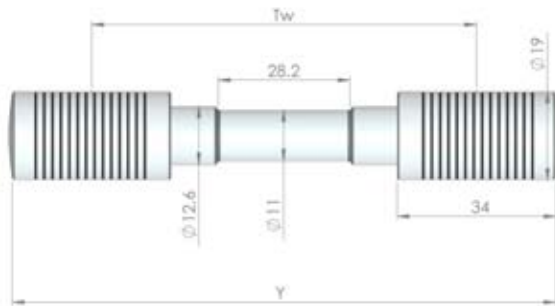
Top roller for worsted ring frames



Type – Ref. No.	Gauge Tw (mm)	Total length Y (mm)	Colour of end cover
LP 314-000075	75	109	Orange
LP 314-000825	82.5	116.5	Orange

Application/s

Position/s : Front and rear top roller
 Machine/s : Worsted ring frames
 Process : Spinning
 Weighting arm/s: TeraSpin and SKF PK 1601-01
 Raw material/s : Wool and its blends with man-made fibres

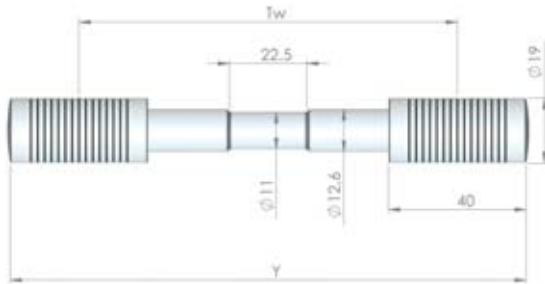


Type – Ref. No.	Gauge Tw (mm)	Total length Y (mm)	Colour of end cover
LP 316-000075	75	109	Orange
LP 316-000825	82.5	116.5	Orange

Application/s

Position/s : Middle (apron) top roller
 Machine/s : Worsted ring frames
 Process : Spinning
 Weighting arm/s: TeraSpin and SKF PK 1601-01
 Raw material/s : Wool and its blends with man-made fibres

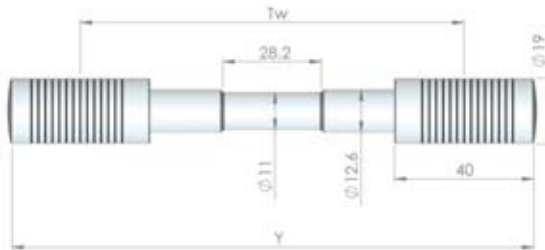
Top roller for roving frames



Type – Ref. No.	Gauge Tw (mm)	Total length Y (mm)	Colour of end cover
LP 315-000110	110	150	Blue

Application/s

- Position/s : Any position other than apron top roller
- Machine/s : Roving frames
- Process : Spinning
- Weighting arm/s: TeraSpin and SKF PK 1500 series and PK 1600-40
- Raw material/s : Cotton, man-made fibres and their blends



Type – Ref. No.	Gauge Tw (mm)	Total length Y (mm)	Colour of end cover
LP 317-000110	110	150	Blue

Application/s

- Position/s : Apron top roller
- Machine/s : Roving frames
- Process : Spinning
- Weighting arm/s: TeraSpin and SKF PK 1500 series and PK 1600-40
- Raw material/s : Cotton, man-made fibres and their blends



A.T.E. ENTERPRISES PRIVATE LIMITED

(Business Unit: TeraSpin)

Survey no. 251, Sarkhej Bavla Highway (N.H. no. 8A), Village: Sari

Taluka: Sanand, Ahmedabad 382 220, Gujarat, India

T: +91-2717-699061 E: sales@teraspin.com W: www.ategroup.com/teraspin

CIN: U51503MH2001PTC132921

partnering^g
people & the planet